



# WPD2-500-1000-30

2-Way, 0.5~1GHz

Features:  
\* Small Size  
\* Low Insertion Loss

Applications:  
\* Amplifiers  
\* Mixers  
\* Antennas  
\* Laboratory Test

### Electrical

Frequency:	0.5~1GHz
Insertion Loss:	0.3dB max. (SMA) 0.4dB max. (N)
Input VSWR:	1.2 max.
Output VSWR:	1.2 max.
Isolation:	20dB min. (SMA) 22dB min. (N)
Amplitude Balance:	0.2dB max.
Phase Balance:	±2°
Impedance:	50Ω
Power @SUM Port:	30W max. as divider 2W max. as combiner

### Mechanical

Mounting:	4-Φ2.8mm through-hole (SMA) 4-Φ3.2mm through-hole (N)
-----------	--

### Environmental

Operation Temperature: -35~+75°C

### How To Order

**WPD2-500-1000-30-Y**

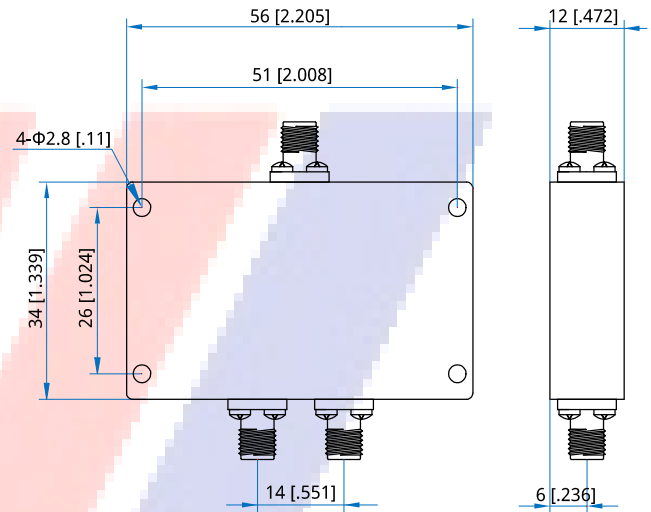
Y: Connector type

Connector naming rules:  
S - SMA Female (Outline A)  
N - N Female (Outline B)

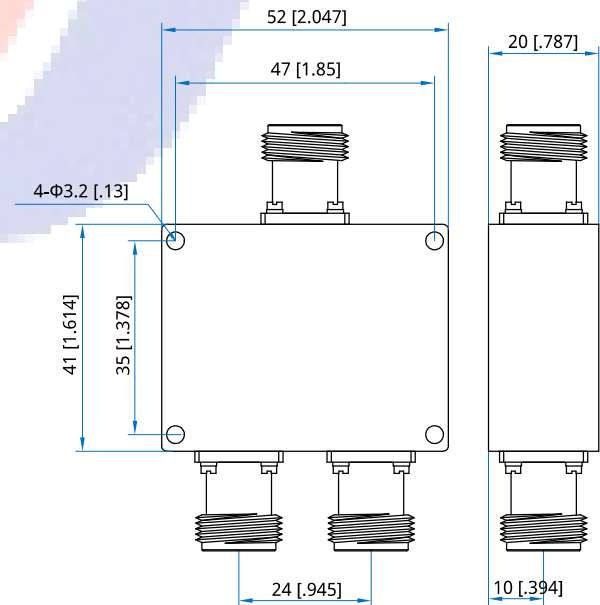
Examples:  
To order a 2-way power divider, 0.5~1GHz, 30W, N female, specify WPD2-500-1000-30-N.

Customization is available upon request.

### Outline Drawings



Outline A



t

Unit: mm [in]  
Tolerance: ±0.5mm [±0.02in]