



WPD2-0-18000-R5-S

2-Way, DC~18GHz, 0.5W

Features:
* Small Size
* Low Insertion Loss

Applications:
* Amplifiers
* Mixers
* Antennas
* Laboratory Test



Electrical

Frequency:	DC~18GHz
Insertion Loss:	6±1.5dB max.
VSWR:	1.6 max.
Isolation:	6±1.5dB max.
Amplitude Balance:	±0.5dB max.
Phase Balance:	±11°
Impedance:	50Ω
Average Power:	0.5W as divider

Mechanical

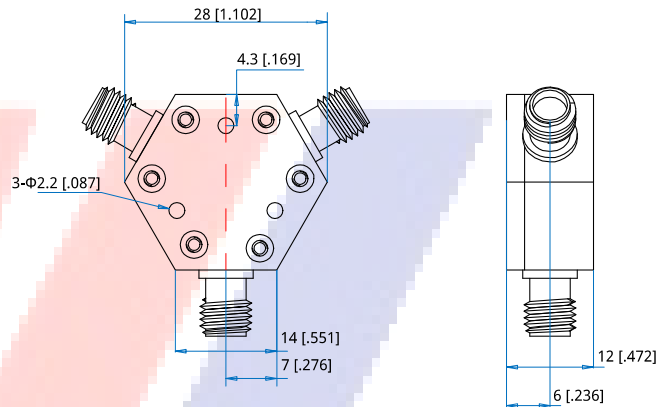
Size*1:	28*12*24.2mm 1.102*0.472*0.953in
Connectors*2:	SMA Female

[1] Exclude connectors.
[2] Female connectors can be replaced with male connectors on request.

Environmental

Operating Temperature:	-30~+70°C
Non-operating Temperature:	-40~+85°C

Outline Drawings



Unit: mm [in]
Tolerance: ±0.5mm [±0.02in]

How To Order

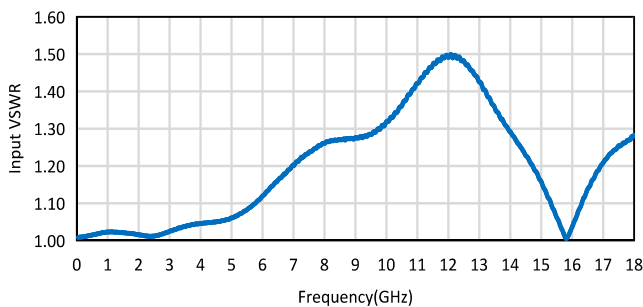
WPD2-0-18000-R5-S

Customization is available upon request.

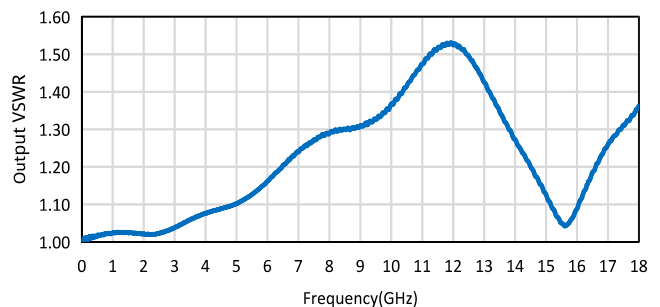
Typical Performance Curves

SMA

Input VSWR vs. Frequency



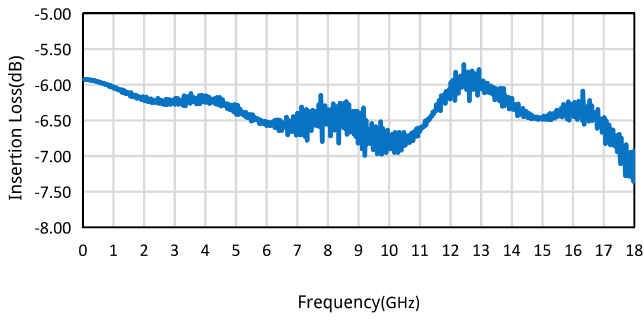
Output VSWR vs. Frequency



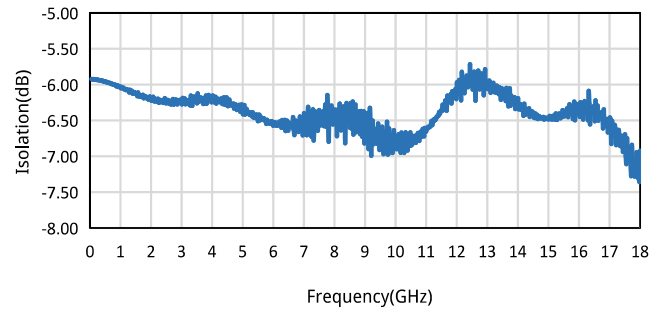


2-Way Resistive Power Divider

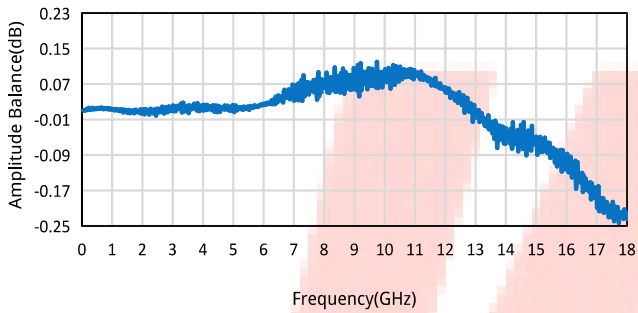
Insertion Loss vs. Frequency



Isolation vs. Frequency



Amplitude Balance vs. Frequency



Phase Balance vs. Frequency

