



# WASW

## SMA to SSMC

Features:  
\* Low VSWR

Applications:  
\* Wireless  
\* Transmitter  
\* Laboratory Test  
\* Radar

### Electrical

Frequency: DC~17GHz  
VSWR: 1.25 max.@17GHz  
1.15 max.@DC~6GHz  
Impedance: 50Ω

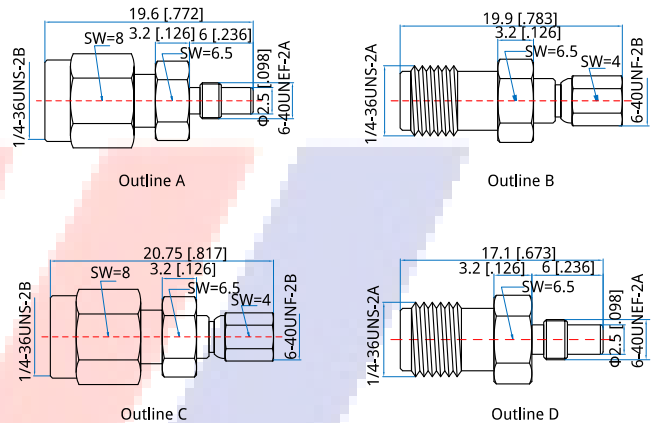
### Mechanical

RF Connectors: SMA  
SSMC  
Mating Life Cycle: 500 cycles  
Outer Conductor: Gold Plated Brass  
Dielectric: PTFE  
Inner Conductor: Gold Plated Phosphor Copper

### Environmental

Temperature: -45~+125°C

### Outline Drawings



Unit: mm [in]

Tolerance: ±0.2mm [±0.008in]

### How To Order

**WASW-MM** - SMA(m) to SSMC(m), Outline A

**WASW-FF** - SMA(f) to SSMC(f), Outline B

**WASW-MF** - SMA(m) to SSMC(f), Outline C

**WASW-FM** - SMA(f) to SSMC(m), Outline D

Customization is available upon request.